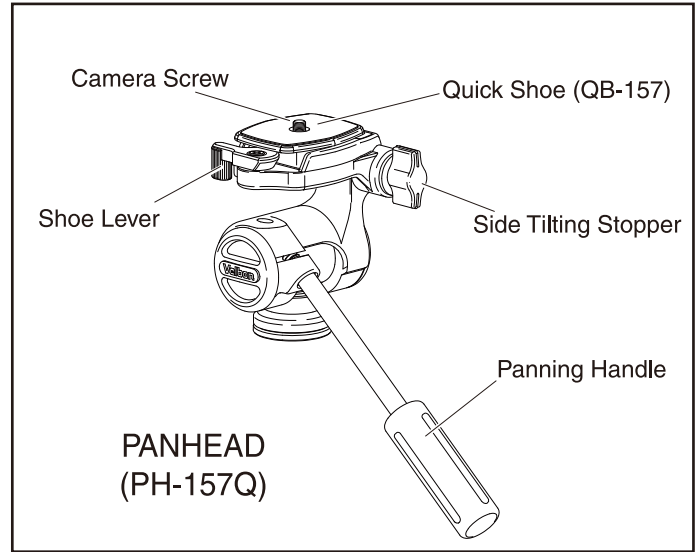
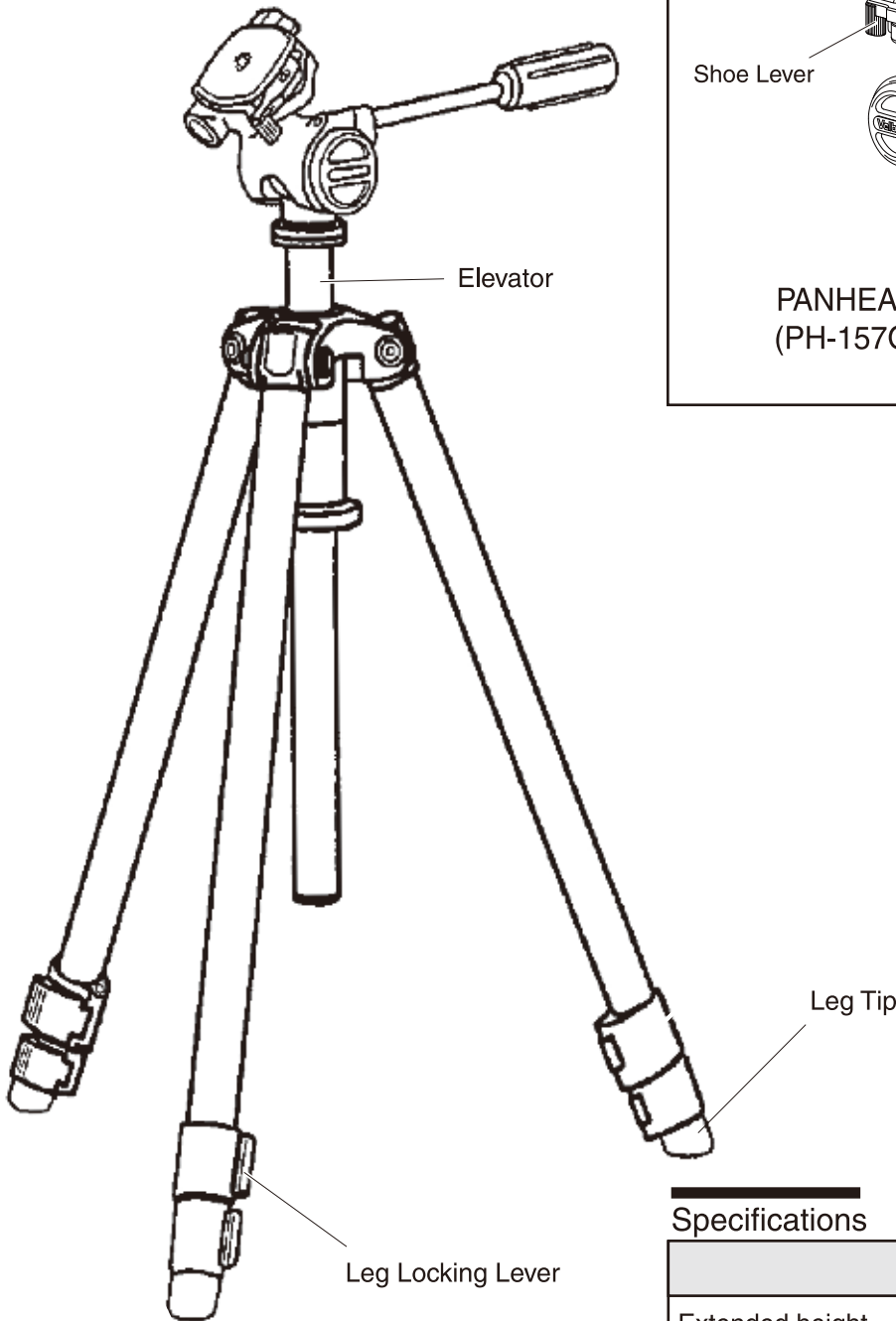


Identification of Parts

Thank you for purchasing Velbon Sherpa 200R. Please read operating manual carefully before you start to use.



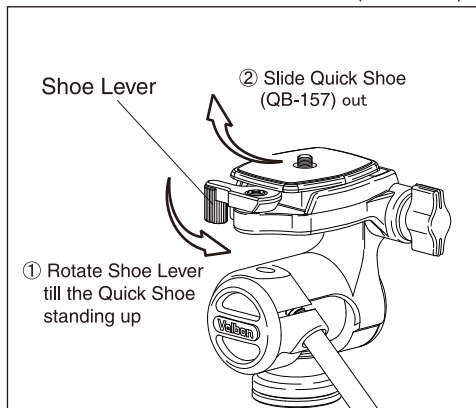
When moving from place to place, please ensure you detach your camera from the tripod, otherwise movement could cause your camera to detach and fall.

Specifications

	Sherpa 200R
Extended height	1,675mm
Centre Column Extension	325mm
Closed length	625mm
Weight	2,000g
Ideal load	2kg
Leg sections	5
Panhead	PH-157Q

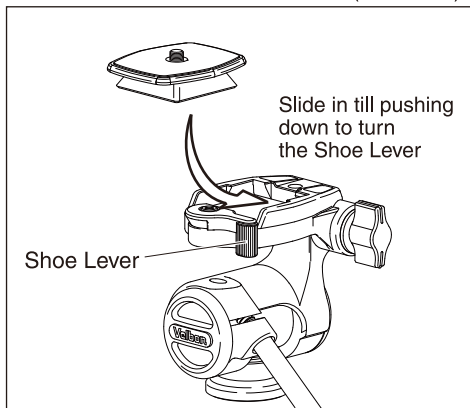
Specifications are subject to change without notice

1-1.How to attach camera (PH-157Q)



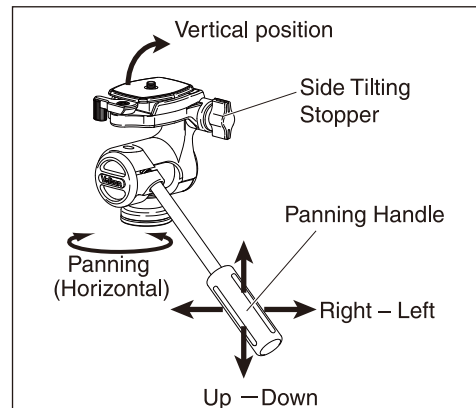
Rotate Shoe Lever until the Quick Shoe raises up automatically. Slide it out from the head then attach to the bottom of camera body. Then screw in carefully and tighten with a camera firmly.

1-2.How to attach camera (PH-157Q)




Keep the Shoe Lever unlocked, then sliding camera with the Quick Shoe into the head, then automatically Shoe Lever is locking the Quick Shoe to hold. Please add locking tension by rotating Shoe Lever for sure, like double check.

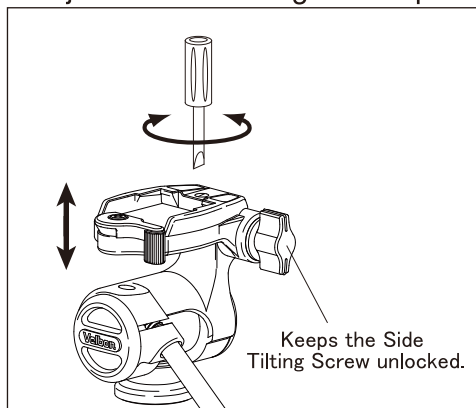
2.How to use the head



Release the Panning handle, and head turns to Up-Down also Right-Left. Release Side Tilting Stopper, then camera plate turns to 90 degree for Vertical position. When the framing is decided, lock each stopper tightly for shooting.

 Hold your camera surely while you operate quick release to attach then locate onto the head.

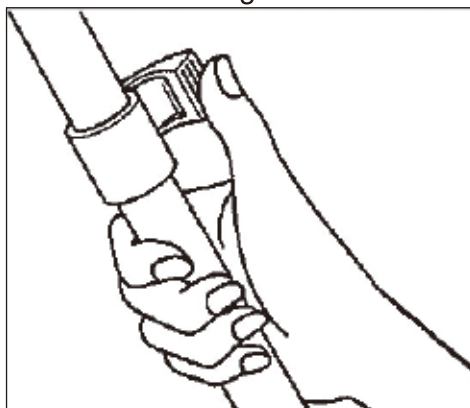
3.Adjustment of the angle of the plate



Rotate the screw as seen in the drawing, Camera plate moves slightly up or down.

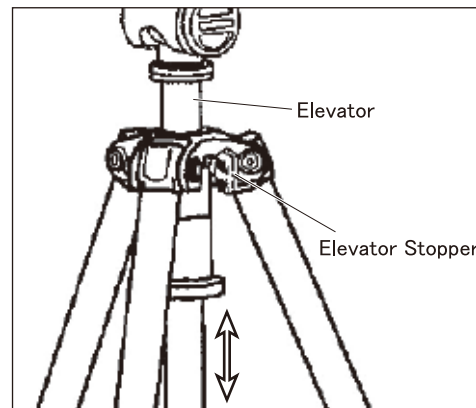
※Minus -shape screw driver is not contained with.
 ※Do not attempt to loose too much

4.How to extend legs



Using thumb to open the Leg Locking Lever to extend legs to the desired height. Then locking each leg section firmly. For the folding legs, opening the Leg Locking Lever and collapse from the lower leg section to the upper leg section.

5.How to use the Elevator



Unlocking Elevator Stopper, extend the Elevator to the desired height. Then lock the Elevator Stopper. Hold the Elevator tightly while extending or closing down otherwise it may suddenly come down to damage your camera or harm your fingers. Be careful.

Cautions

1. Open legs enough to keep balance well otherwise tripod may fall down and break your camera or lens
2. All the screw or stopper knobs must be tighten while carrying.
3. Choose even terrain as much as possible in order to stand tripod in the better stabilized condition.
4. Do not carry camera with the tripod while moving out. Take off the camera from the tripod for the safety reasons.
5. Do not add any grease or oil to the head or tripod part which may cause incorrect effect on operation.
6. Do not sit down on the tripod or use for the other purpose than installing a camera.
7. Be careful for using near the Electric cable etc as Aluminum legs allow to through the electricity easier and it may damage your camera and yourself.
8. Be careful for using very cold place in case Aluminum leg surface frozen.
9. Do not leave tripod in the hotter place for a long time, Aluminum leg may heat.
10. Do not recommend to use over weight equipment installing on the tripod. Recommended performing weight is around 2kgs.
11. Watch your fingers while extending / folding legs or elevator.