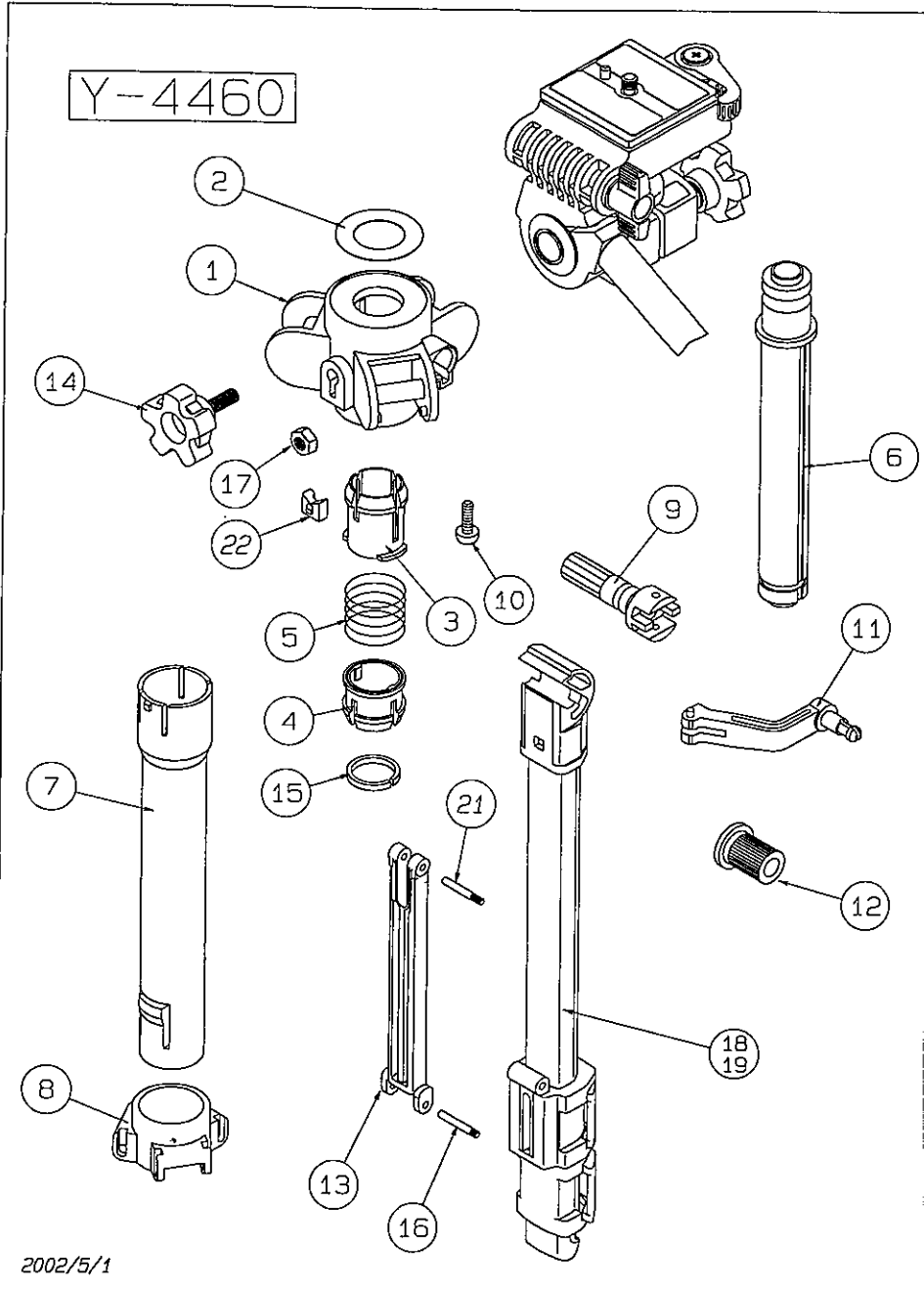


CX-440 BODY

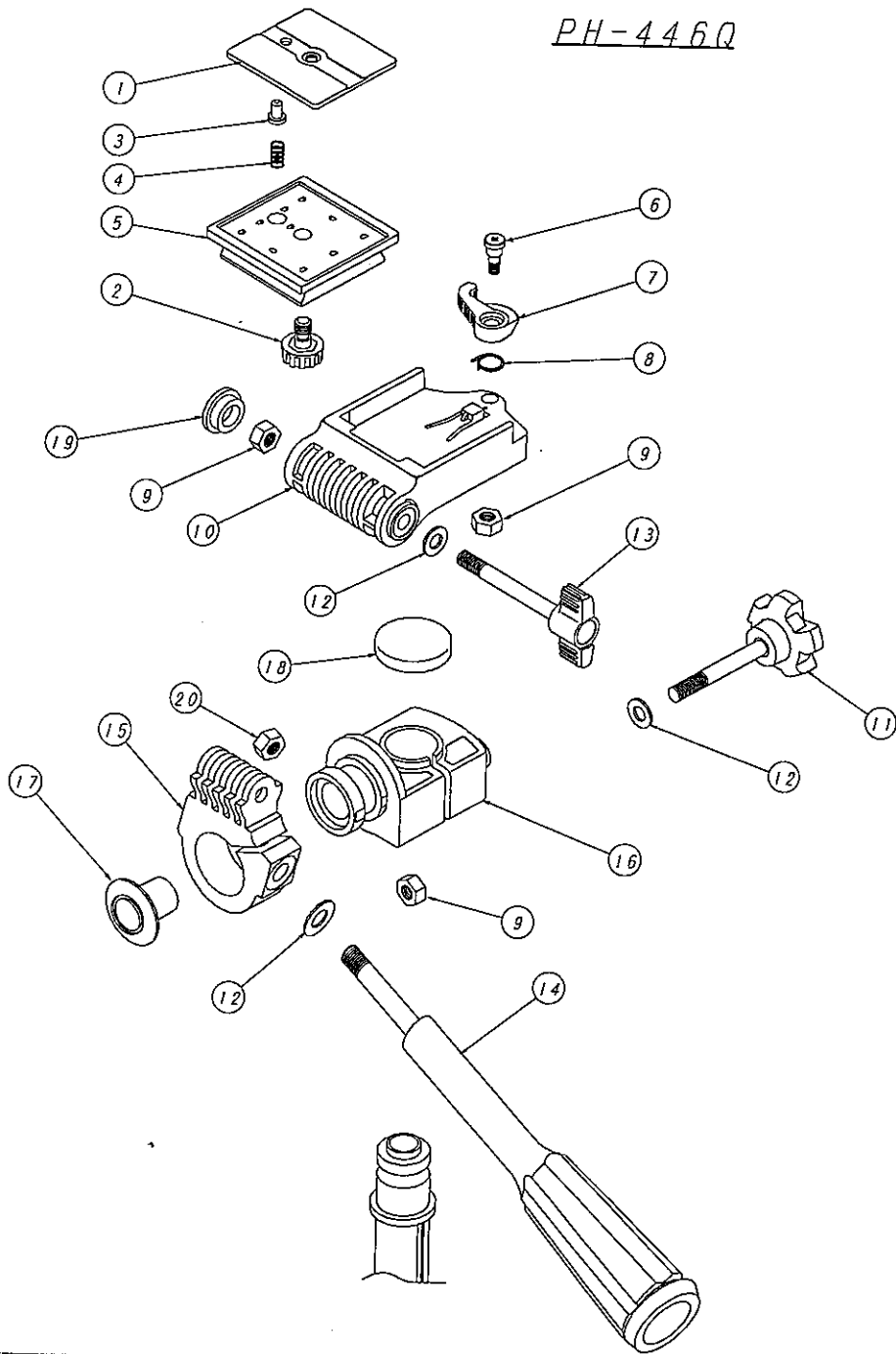
CX-440 BODY SPARE PARTS LIST

NO.	PART'S NAME	1SET
1	NX4G BODY	1pc
2	20-36 PTP	1pc
3	NX4 SLEEVE A	1pc
4	NX4 SLEEVE B	1pc
5	NX4 SLEEVE SP	1pc
6	NX20 RACK B	1pc
7	NX26 GP	1pc
8	NX4 ARM G	1pc
9	NX4 CRANK SHAFT	1pc
10	3x8 TP	1pc
11	NX4 CRANK LEVER	1pc
12	NX CRANK KNOB	1pc
13	NX4 BRACE	3pcs
14	MS6X18	1pc
15	NXH RACK END RING	1pc
16	3x22G PIN	3pcs
17	M6 HEX NUT	1pc
18	YNHC-3B	2pcs
19	YNHC-3BVE1	1pc
20	PH-446Q	1pc
21	3x22B PIN	3pcs
22	M6HEXNUT CAP H	1pc



CX-440 PANHEAD

PH-446Q



CX-440 PANHEAD SPARE PARTS LIST

NO.	PART'S NAME	1SET
1	458 CAMERA PAD	1pc
2	TS1/4 x 11C	1pc
3	458-V BOS	1pc
4	458 RETRACT SP	1pc
5	446 CAMERA SHOE	1pc
6	446 LEVER SHAFT	1pc
7	458 SHOE LEVER	1pc
8	368 LEVER SP	1pc
9	M6 HEX. NUT	1pc
10	446Q CAMERA PLATFORM VE	1pc
11	MS6x45A	1pc
12	6.2-12W	1pc
13	XS6x53A	1pc
14	DN6H HANDLE	1pc
15	446 ARM	1pc
16	446 NIBAN	1pc
17	446 NIBAN COVER	1pc
18	446 SPINDLE COVER	1pc
19	446ST COVER	1pc
20	M6 HEX. N3	1pc